

TMM MINI-MIGHTER

140kg lifting capacity

Features:

Machine size

Extremely compact and lightweight.

Cast Iron Housing provides high strength

Durable in harsh environments.

Auto Stop

Auto Stop activated when the maximum travel is reached, eliminating reverse winding.

Self Spooling

Wire rope automatically spools inside the unit.

Load Tested

All units tested to 125% of rated capacity before delivery and test certificate provided.

TMM-140AE



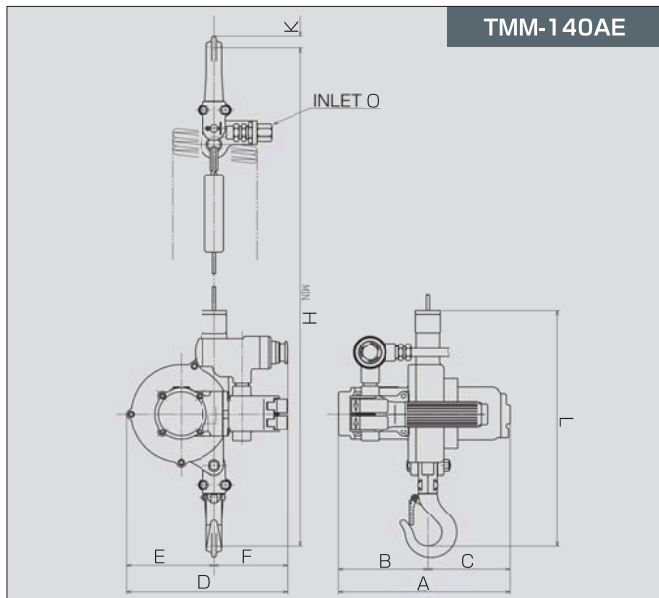
Control type

Handle-mounted pendant control provides one-handed operation.

Left or Right Hand Operation.

Comes standard with adjustable handle for either left or right hand operation.

External Dimensions



TMM-140AE Use example



Enables you to lift and lower the object quick and easy.



TMM-140AE present you precise control in positioning the object.

Dimensions in mm

MODEL	A	B	C	D	E	F	H	L	O
TMM-140AE	224	116	108	208.2	114	94.2	573	308	PT3/8

MODEL	Lifting Capacity	Lifting Speed				Weight	Min Hook Distance	Chain Dimension	Hose Size
		Load (up)	Air Cons	Load (Down)	Air Cons				
	Kg	m/min	m ³ /min	m/min	m ³ /min	Kg	mm	mm	mm
TMM-140AE	140	11	0.63	18	0.65	10	572.8	4	9.5

* Operating Air pressure is from 0.4MPa to 0.6MPa.