

# DLV30/45/70-IKE series ■ For Machine Screws (2.6 - 8.0 mm)

## Features

Incorporates long-life brushless motors

- The newly designed clutch mechanism offers precise torque repeatability over sustained periods of use
- Three series of screwdrivers: DLV30/45/70-IKE can be operated by one standard control unit giving you wide screw tightening torque coverage from 0.4 to 7.0 Nm and maximum free speeds of 650, 1,200 or 2,000 min<sup>-1</sup>
- Compliant with CE



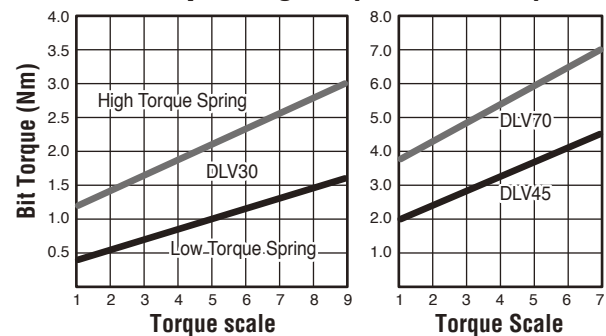
## Specifications

Model	Series	DLV30 Series			DLV45 Series		DLV70 Series
	Lever Start	DLV30LL-IKE	DLV30SL-IKE	DLV30HL-IKE	DLV45LL-IKE	DLV45SL-IKE	DLV70LL-IKE
	Push to Start	DLV30LP-IKE	DLV30SP-IKE	DLV30HP-IKE	DLV45LP-IKE	DLV45SP-IKE	DLV70LP-IKE
Input Voltage	40 V DC						
Torque Adjustment (Nm)	Low Torque Spring (Standard Accessory)	0.4 - 1.6			2.0 - 4.5		3.8 - 7.0
	High Torque Spring (Built-in)	1.2 - 3.0					
*1 Adjustable Speed Range (min <sup>-1</sup> )	390 - 650		720 - 1,200	1,200 - 2,000	390 - 650	720 - 1,200	390 - 650
*1 Adjustable Soft Start Time (sec)	0 - 2						
*1 Free Speed at Soft Start (min <sup>-1</sup> )	260		480	800	260	480	260
Screw Size (mm)	Machine Screw	2.6 - 5.0			4.5 - 6.0		5.0 - 8.0
	Tapping Screw	2.5 - 4.0			4.0 - 5.0		4.5 - 6.0
Mass (g)	720			870 (with Pistol Grip)			
Bit Type (mm)							
Standard Accessories	Bit No.2 x 7 x 75 : 1 pc. Suspension Ball : 1 pc. Low Torque Spring : 1 pc.						
Controller				DLR70S-WGB (See Page 20) DLC70S-WGB (See Page 21)			

\*1 : Values are obtainable in combination with control unit DLR70S-WGB or DLC70S-WGB.

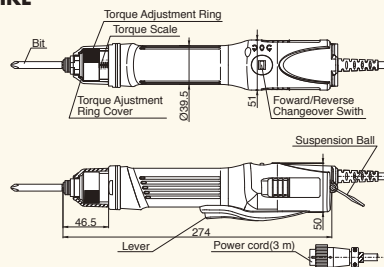
\* IJE types for 5 mm hex. bit are available on request.

## Torque Diagram (for reference)

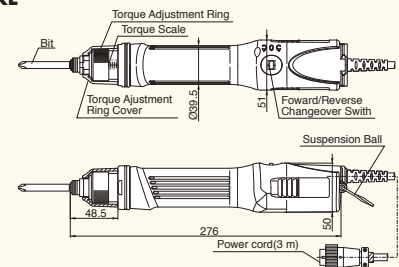


## External Dimensions

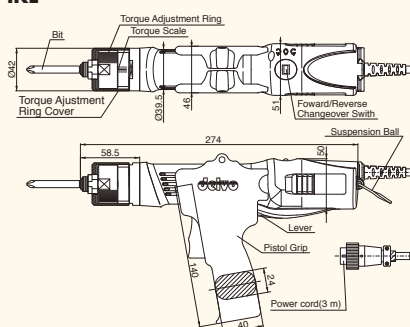
### ●DLV30LL/30SL/30HL-IKE



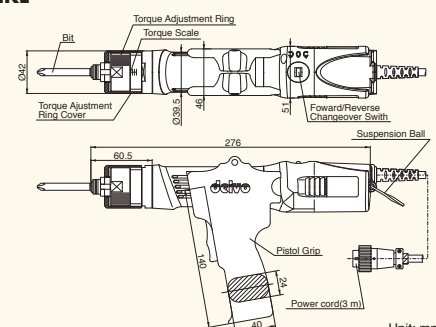
### ●DLV30LP/30SP/30HP-IKE



### ●DLV45LL/45SL/70LL-IKE



### ●DLV45LP/45SP/70LP-IKE



Unit: mm

# DLR70S-WGB

■ Screw Fastening Counter for DLV30/45/70-IKE series

## Features

### Enhanced versatility by combining controller and counter

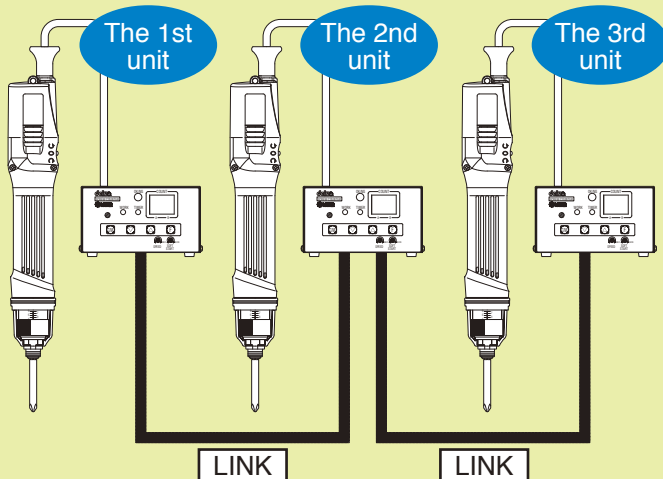
- This model has a "Count Correction" function that does not count alien screws with different length, refastened screws that were initially fastened sufficiently, or incompletely fastened screws that were fastened in a slanting direction or stopped fastening in midcourse
- "Count Back" function reverses the counting when a screw is unfastened
- Up to four different screw fastening programs can be stored in the internal memory for a wide variety of assembly work
- Sequential screw tightening system (Link Function) can be built up with up to 10 screwdriver/controller sets connected in series
- Equipped with "Stepless Speed Adjustment" function and "Soft Start" function
- Universal input voltage from 100 to 240 V AC for convenient installation



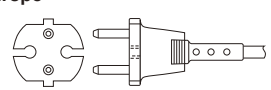
## LINK Function

When counters are connected and activated in the screw fastening sequence as shown below, all screwdrivers are on standby except the first one in the sequence. Only when the first screw fastening is finished, can the next screwdriver change from standby to ready. When the last fastening in the sequence is finished, the first screwdriver is once again ready and the sequence can be repeated again.

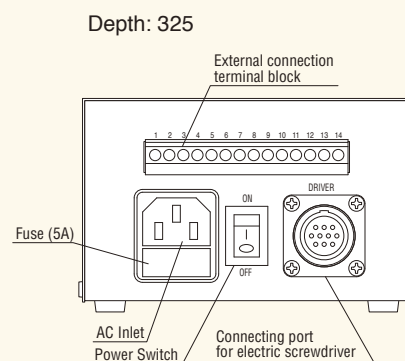
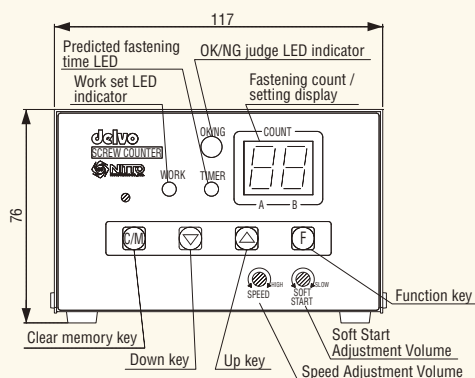
N.B. Up to 10 screwdriver/counter sets can be connected to the LINK.



## Specifications

<b>Model</b>	<b>DLR70S-WGB</b>
<b>Input Voltage</b>	100 - 240 V AC, 50/60Hz
<b>Output Voltage</b>	40 V DC
<b>Speed Control Function</b>	60 - 100 %
<b>Soft Start Function</b>	0 - 2 sec.
<b>Count</b>	0 - 99
<b>Allowable Number of Screw Fastening Programs</b>	4
<b>Counting Method</b>	Count-up / Count-down
<b>Count Correction Function</b>	Count normal fastening only
<b>Self Adjustable Timer Setting</b>	0.01 to 0.99 sec.
<b>OK Output Timer Setting</b>	0 to 9.5 sec.
<b>Count Back Function</b>	ON / OFF
<b>OK / NG Buzzer</b>	ON / OFF
<b>Input Signal</b>	WORK / RESET / LINK-IN / CH1 / CH2 / TORQUE CHECK
<b>Output Signal</b>	OK / NG / LINK-OUT / TORQUE UP
<b>Mass</b> (kg)	2.1
<b>Size W × L × H</b> (mm)	117 × 325 × 76
<b>Bit Grounding</b>	Ready (With a 1MΩ resistor)
<b>Plug shape</b>	<b>Europe</b> 
<b>Standard Accessories</b>	Power cord (2 m): 1 Fuse (5 A): 1

## External Dimensions



unit: mm

delvo

DLR70S-WGB

# DLC70S-WGB

■ Controller for DLV30/45/70-IKE series

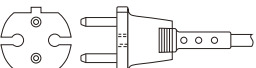
## Features

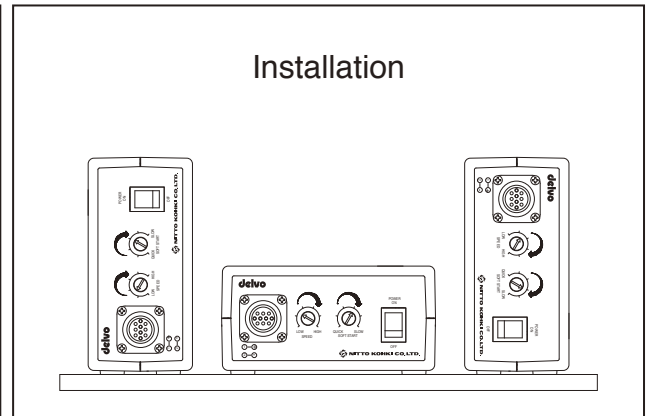
### Universal input voltage from 100 to 240 V AC for convenient installation

- The controller provides soft start function. The slow startup prevents screw heads from possible damage caused by the disengaged bit.
- Stepless speed adjustment function widens the speed range from 390 to 2,000 min<sup>-1</sup> for various applications
- The controller outputs: Start, torque-up and reverse is via a dry contact method. These signals can be used for counting up tightened screws and preventing screw tightening errors.
- Applying 24 V DC to the designated terminals on the controller brings the screwdriver to an immediate stop in emergency cases
- Can be installed either horizontally or vertically

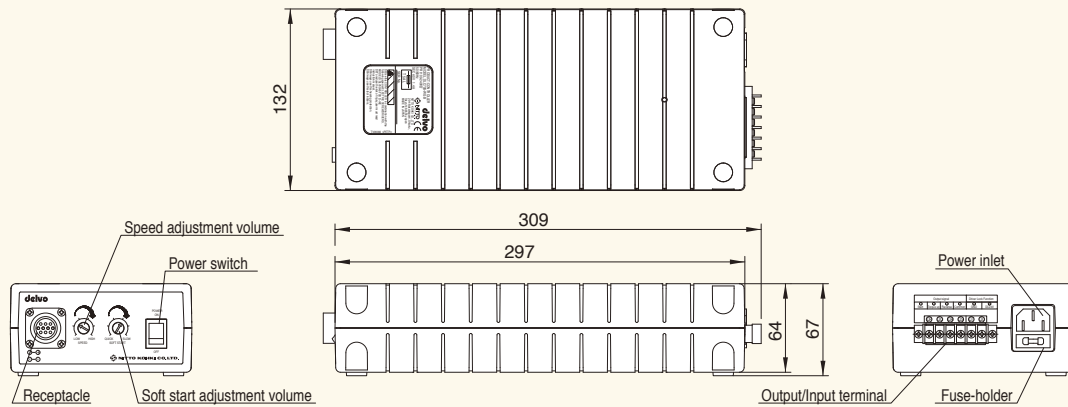


## Specifications

<b>Model</b>	<b>DLC70S-WGB</b>
<b>Features</b>	With speed control and soft start function
<b>Input Voltage</b>	100 - 240 V AC, 50/60 Hz
<b>Output Voltage</b>	40 V DC
<b>Signal Output(contact point type)</b>	Start, Torque up, Reverse(Dry contact)
<b>Signal Input</b>	Drive Stop Function (With DC 24 V Input Voltage needed)
<b>Mass</b> (kg)	1.8
<b>Size W × L × H</b> (mm)	132 × 297 × 67
<b>Bit Grounding</b>	Ready(With a 1M Ω resistor)
<b>Plug shape</b>	<b>Europe</b> 
<b>Standard Accessories</b>	Power cord(2 m): 1 Rubber feet: 4 Fuse(5 A): 1



## External Dimensions



Unit: mm