

AIR PREPARATION UNITS

FEATURES AND BENEFITS

- All models include L-mount bracket, gauge, and metal bowl shields.
- Polycarbonate filter and lubricator bowls (metal bowls standard on AFRL-8).
- 25-micron filter included on all models.
- Regulating range: 7 – 125 PSI
- Custom order upgrade items include metal bowl, 5 micron filter, semi-automatic filter drain, and reduced PSI range regulator. Contact an AIMCO sales representative for more information.



AFRL-3



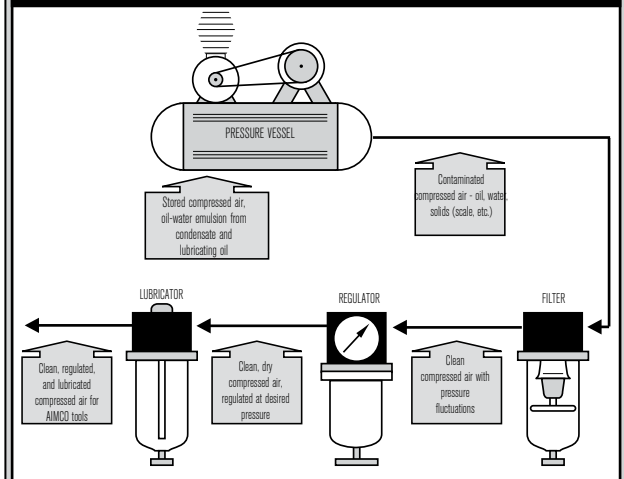
AFRL-2-C

MODEL	PORT	GAUGE PORT	FLOW RATE	BOWL SHIELD	
AFRL-2	1/4"	1/8"	70	2,000	yes
AFRL-2-C	1/4"	1/8"	60	1,700	yes
AFRL-3	3/8"	1/4"	140	4,000	yes
AFRL-3-C	3/8"	1/4"	105	3,000	yes
AFRL-4	1/2"	1/4"	140	4,000	yes
AFRL-8	1"	1/4"	180	5,000	yes

DIM.	AFRL-2	AFRL-2-C	AFRL-3	AFRL-3-C	AFRL-4	AFRL-8
H	6.16 (156.5)	8.31 (211.1)	7.54 (191.5)	10.31 (261.9)	7.54 (191.5)	10.69 (271.5)
HB	1.39 (35.3)	1.38 (35.1)	1.57 (40.0)	1.57 (39.9)	1.57 (40.0)	1.97 (50.0)
HS	1.50 (38.1)	3.64 (92.5)	1.61 (40.9)	4.41 (112.0)	1.61 (40.9)	1.89 (48.0)
L	7.13 (181.1)	4.61 (117.1)	9.37 (238.0)	6.06 (153.9)	9.37 (238.0)	11.81 (300.0)
LS	2.52 (64.0)	2.30 (58.4)	3.31 (84.1)	3.03 (77.0)	3.31 (84.1)	4.13 (104.9)
TB	1.61 (41.0)	1.61 (40.9)	1.97 (50.0)	1.97 (50.0)	1.97 (50.0)	2.75 (69.9)
TG	2.39 (60.7)	2.39 (60.7)	2.58 (65.5)	2.58 (65.5)	2.58 (65.5)	2.97 (75.4)
TR	2.09 (53.1)	2.09 (53.1)	2.76 (70.1)	2.76 (70.1)	2.76 (70.1)	3.54 (89.9)

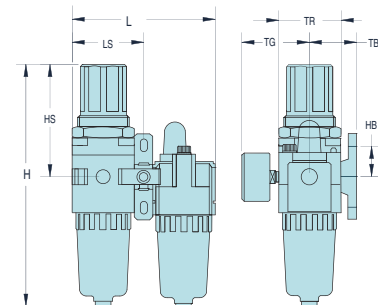
The supply of clean, dry air is essential to the operation of pneumatic powered tools. Use only clean filtered air for longer tool life. Provide proper airflow (CFM) and regulate air pressure (PSI) for optimum performance.

AIR PREPARATION UNITS: BASIC FUNCTIONS

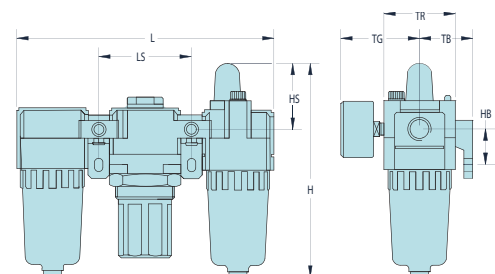


To determine unit size for application, you will need to know:

- Total air flow (CFM) required for application.
- Size of incoming air line.
- Size of air line required by tool.
- Air supply pressure (PSI).
- Allowable pressure drop.
- Does the application requires lubrication?
- Does the overall system have the required capacity?



AFRL-2-C
AFRL-3-C



AFRL-2
AFRL-3
AFRL-4
AFRL-8